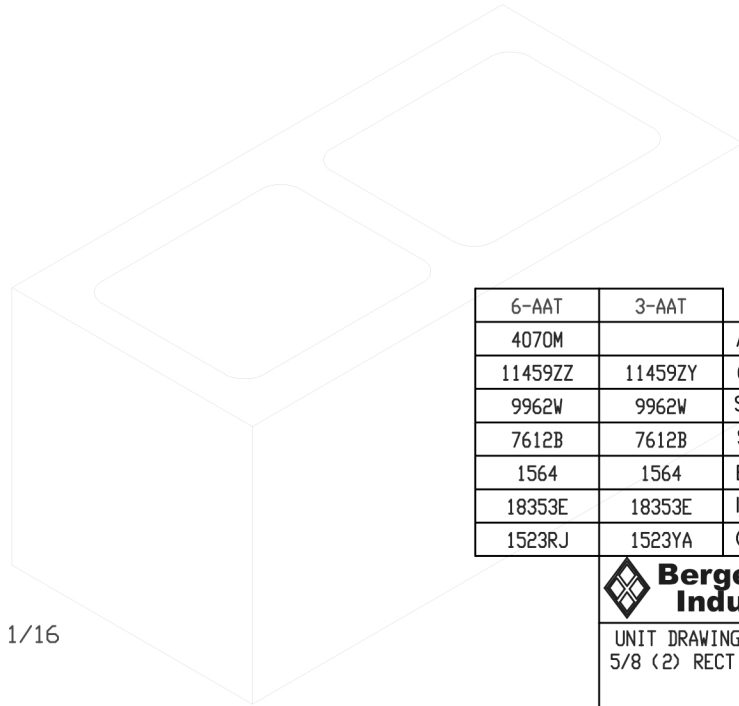
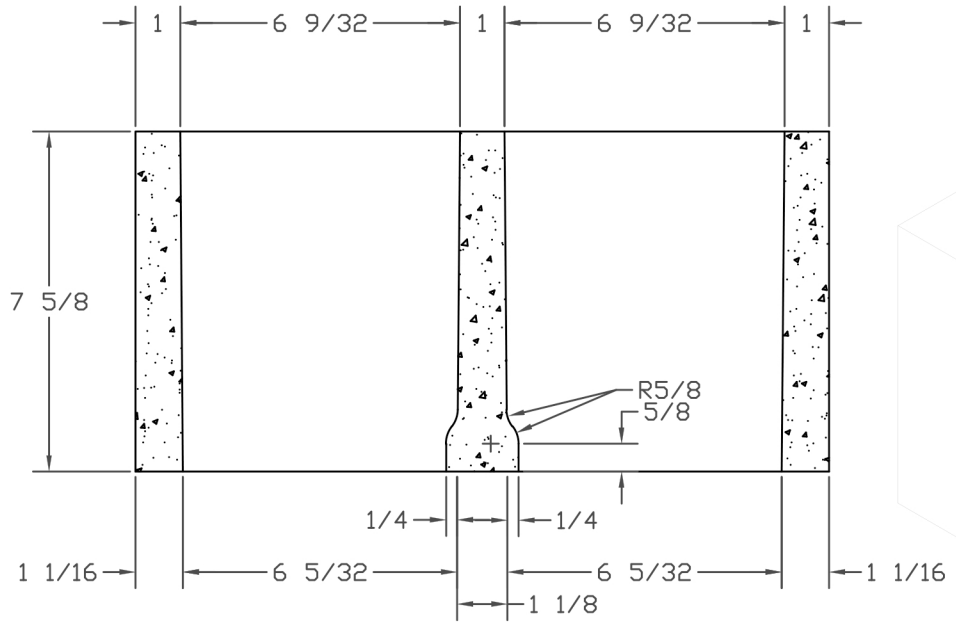
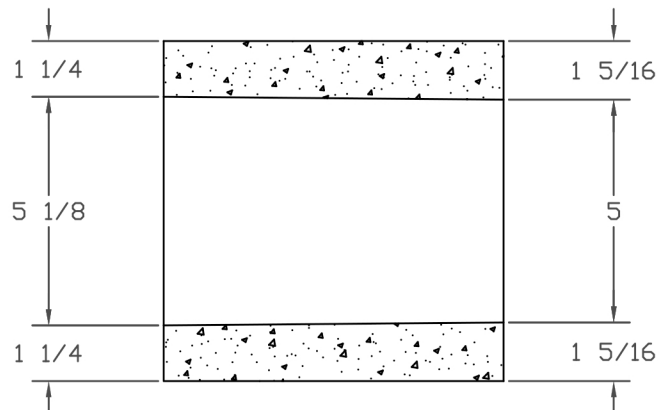
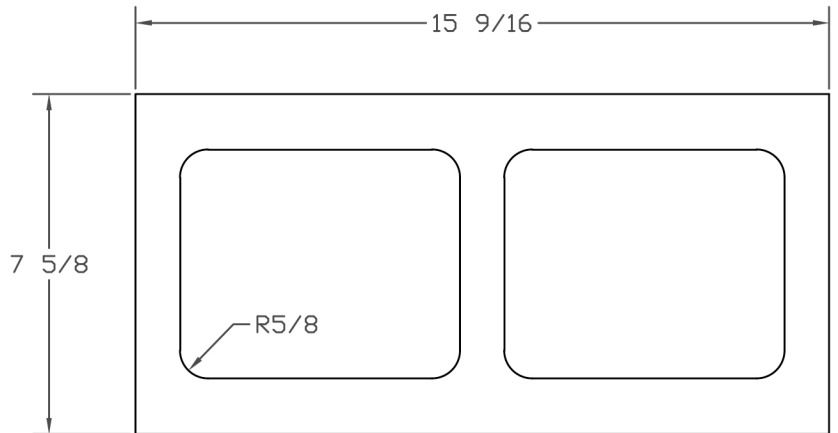


NET VOLUME (CU. IN.)	431.06
APPROXIMATE VOID %	52.36%
APPROXIMATE SOLID %	47.64%
E.T.I.	3.633

# 8" Minimum Taper Relines for both 3AAT and 6AAT



6-AAT	3-AAT	
4070M		ASS'Y PRINT
11459ZZ	11459ZY	CORE ASS'Y (1 1/4" VENTS)
9962W	9962W	STRIPPER SHOE
7612B	7612B	STRIPPER HEAD
1564	1564	END LINER
18353E	18353E	INSIDE DIVISION PLATE
1523RJ	1523YA	OUTSIDE DIVISION PLATE

**Bergen Industries**  
 1120 OAK HILL ROAD  
 MOUNTAIN TOP, PA 18707  
 PHONE: (800) 722-0920  
 FAX: (570) 474-0600

UNIT DRAWING FOR 7 5/8 X 7 5/8 X 15 5/8 (2) RECT CORE DBL PPE W/ H. G. CT

No. 49905