

# Double Clamshell Gates and Tunnel Gates

**Standard and Custom Sizes Available**

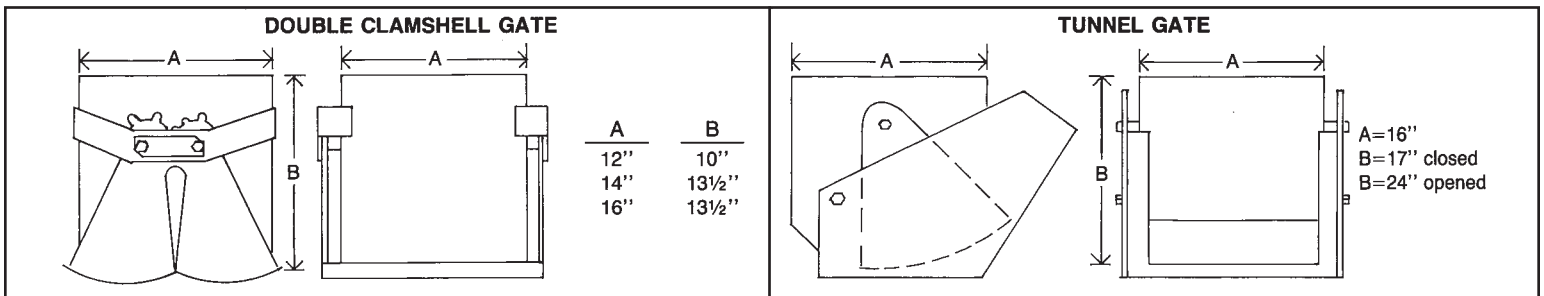
**MERTS, LLC** has been providing gates to the concrete and mining industries since 1950. Our gates are built using mild steel and suitable for standard to heavy duty applications.

We offer a variety of gate sizes ranging from 12" x 12" to 48" x 48".

Standard bolt hole patterns; punched or blank.

Clamshell gates are made with zerk grease fittings in the hinge pins for better wear and tear.

Gates are shipped primed only. They can be painted at your request.



FLANGE					Standard Flanges for above gates
GATE SIZE	A	B	C	D	
12" x 12"	18"	7½"	18"	7½"	
14" x 14"	20"	8½"	20"	8½"	
16" x 16"	22"	9½"	22"	9½"	

Call us to design and manufacture your batch plant, agg bins, silos, conveyors or to order parts.



We listen...  
We learn...  
We lead!

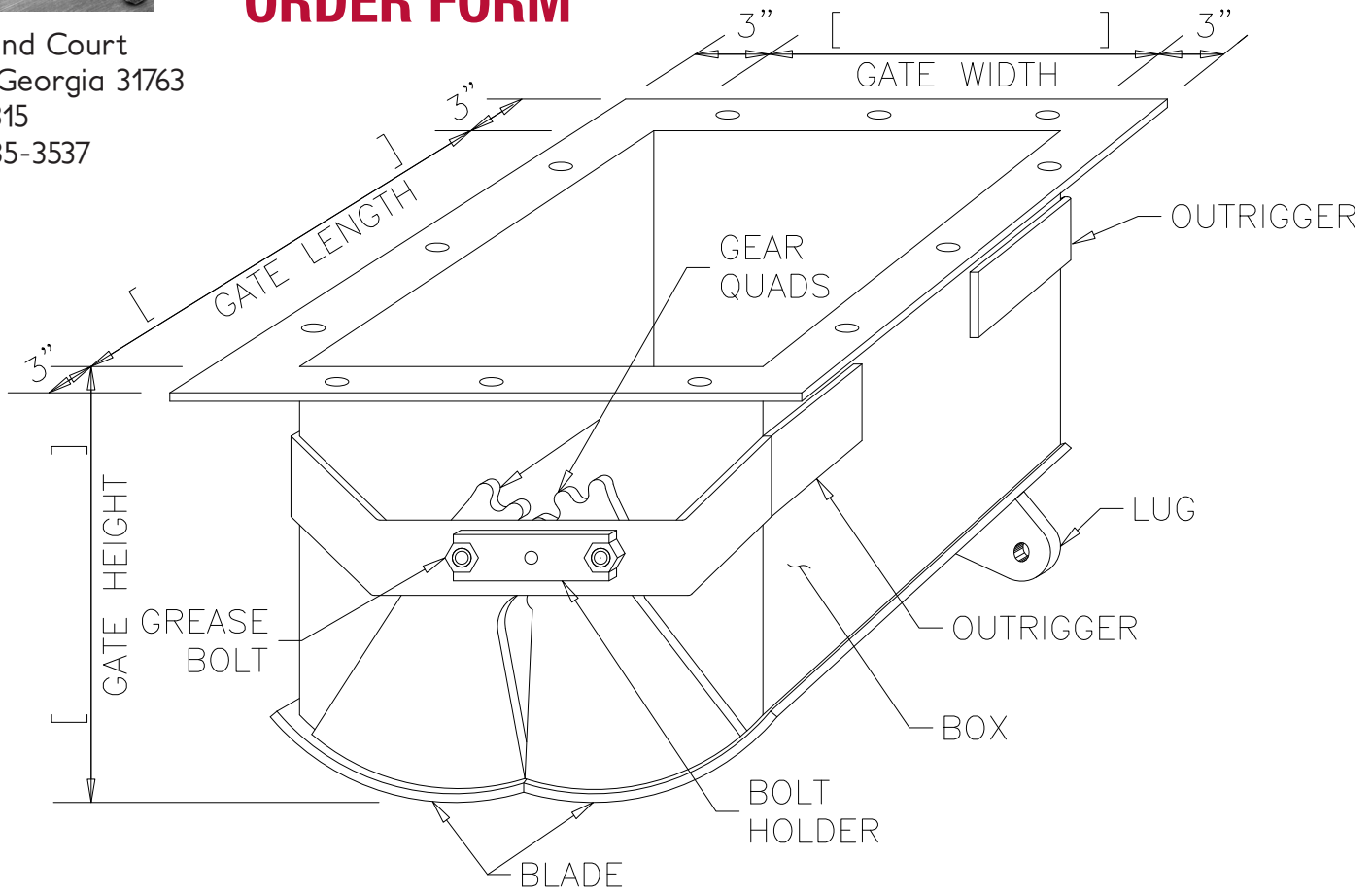
500 Oakland Court ■ Leesburg, Georgia 31763  
229-435-3315 ■ fax: 229-435-3537

Customized Fabricating & Manufacturing Services  
www.merts.com



# DOUBLE ACTING CLAMSHELL GATE ORDER FORM

500 Oakland Court  
Leesburg, Georgia 31763  
229-435-3315  
fax: 229-435-3537



ORDER NO. \_\_\_\_\_ DATE: \_\_\_\_\_ TERMS: \_\_\_\_\_

BILL TO: \_\_\_\_\_ SHIP TO: \_\_\_\_\_

\_\_\_\_\_  
\_\_\_\_\_

\_\_\_\_\_  
\_\_\_\_\_

SHIP VIA \_\_\_\_\_

QUANTITY	PART NO.	DESCRIPTION	UNIT PRICE	EXTENSION

ESTIMATED SHIPPING DATE: \_\_\_\_\_ TOTAL: \_\_\_\_\_